

ARKI SPOT 195



Floodlight designed for architecture illumination. IP67 class body is made of aluminium. Standard colour RAL 7016 any other on request. Wide selection of optics allows to comply with all lighting designer ideas in both historical and modern architecture illumination. Variety of drivers: standard EVG on/off driver, DALI or DMX on request. Selection of optics, lumen outputs and drivers allows to use this luminaire in different types of lighting projects. Mounting on any type of ground. Standard luminaire is not intended for use in increased corrosivity category environment, e.g. with increased salt concentration. Extra corrosion protection is available on request.

Luminous flux & Luminaire Power tolerance up to 10%. System power consumption depends on components used. Luminous efficacy depends on type of LED's, electronics, optics and diffusor. The most up to date technical parameters can be found on our website and in database of LDT files.

Lighting direction



PDF datasheet:

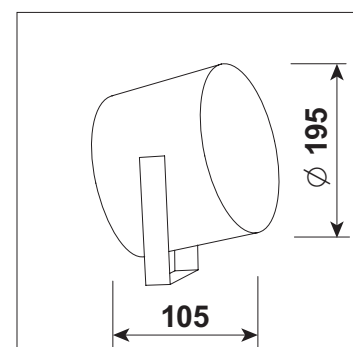


ARKI SPOT 195

| | |
|-------------------------------------|---|
| Mounting: | Ground/wall mounting |
| Body material: | Aluminium |
| Colour: | Standard anthracite grey RAL 7016, other RAL colours on request |
| Lumen output: | Standard up to 6500 lm, any other on request |
| LED module: | Osram or equivalent SMD LED module |
| Colour temperature: | 2700/3000/4000K, RGBW, other on request |
| Colour Rendering: | CRI>80 in standard, other on request |
| Driver: | EVG on-off, DALI, other on request |
| Wireless control: | N/A |
| Daylight/Occupancy sensor: | N/A |
| Emergency unit: | N/A |
| Operating temperature range: | -30°C ... +45°C |
| IP Class: | IP67 in standard |
| Power: | 220-240V 50/60Hz |
| Lighting direction: | Direct lighting with light direction adjustment |
| Light distribution: | Symmetric / asymmetric |
| Optics: | Lens |
| Beam angle: | 8°/11°/20°/30°/40°/60°/Oval 45°x10°/Assymmetric, other on request ° |
| Diffuser: | CG clear glass |
| Warranty: | 5 Years standard warranty |

ARKI SPOT 195 ground or wall mounted luminaire

All current index numbers, lumen outputs, power consumption and many other technical information are available in our 2024 pricelist.



Basic dimensions